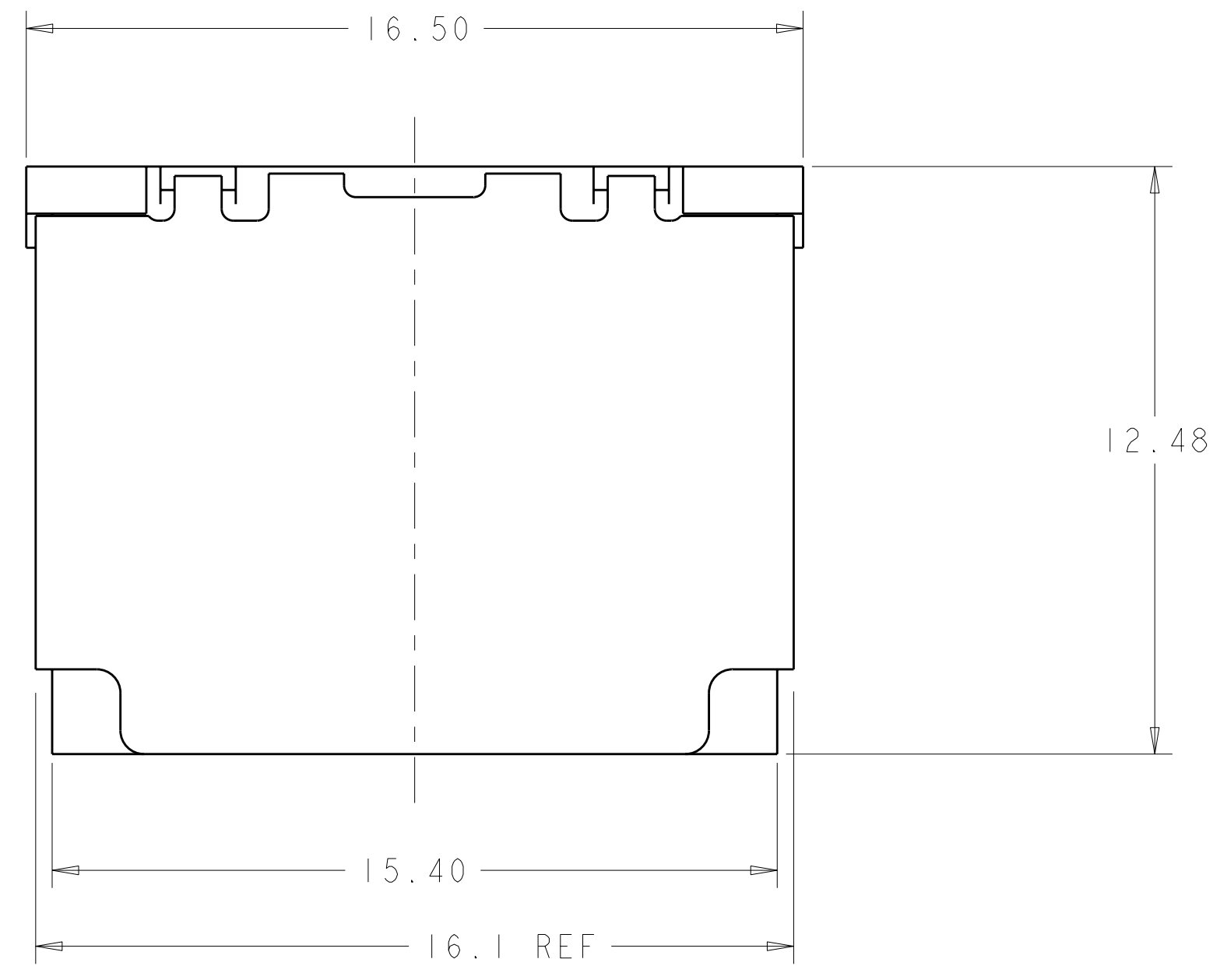


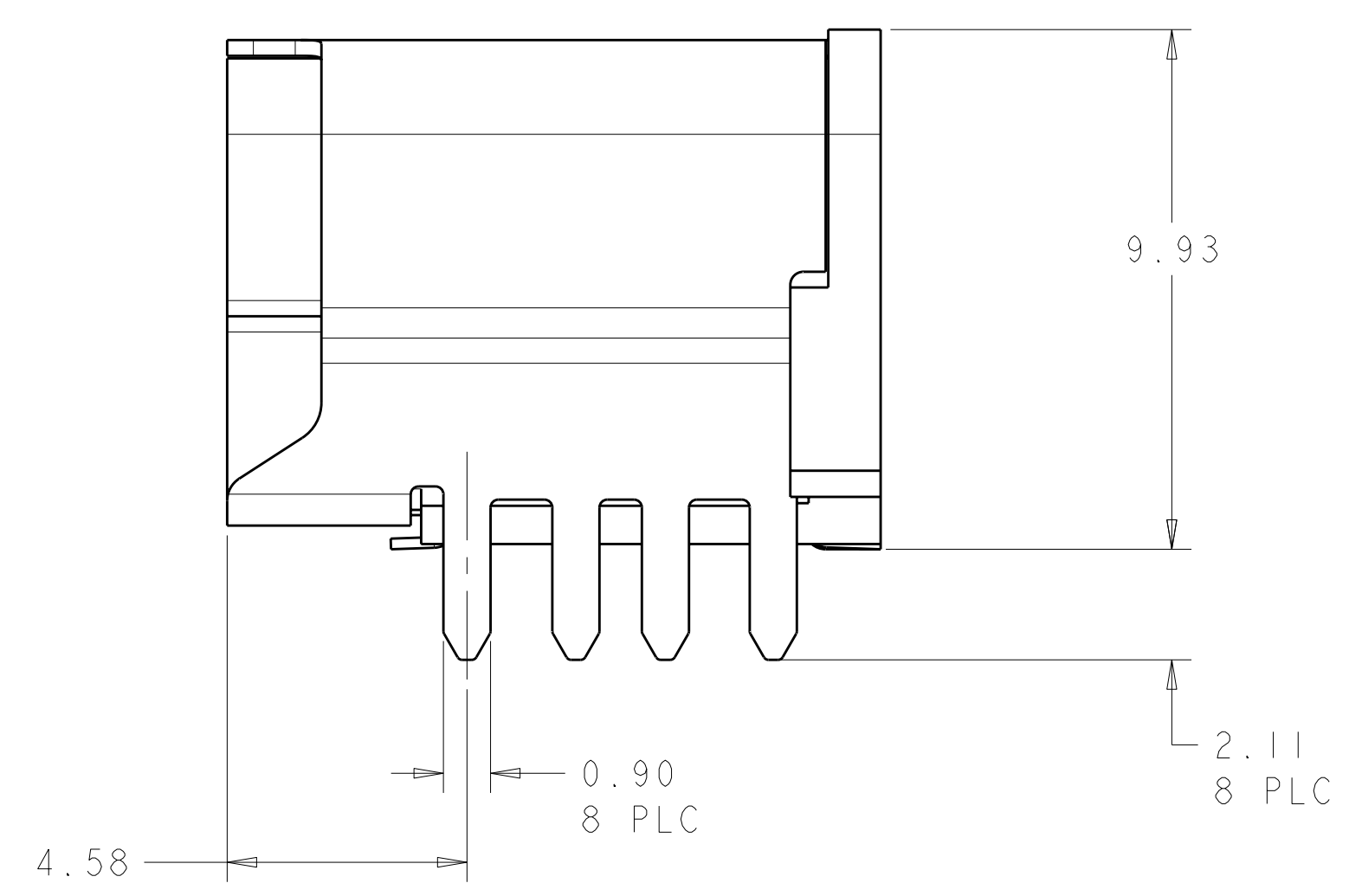
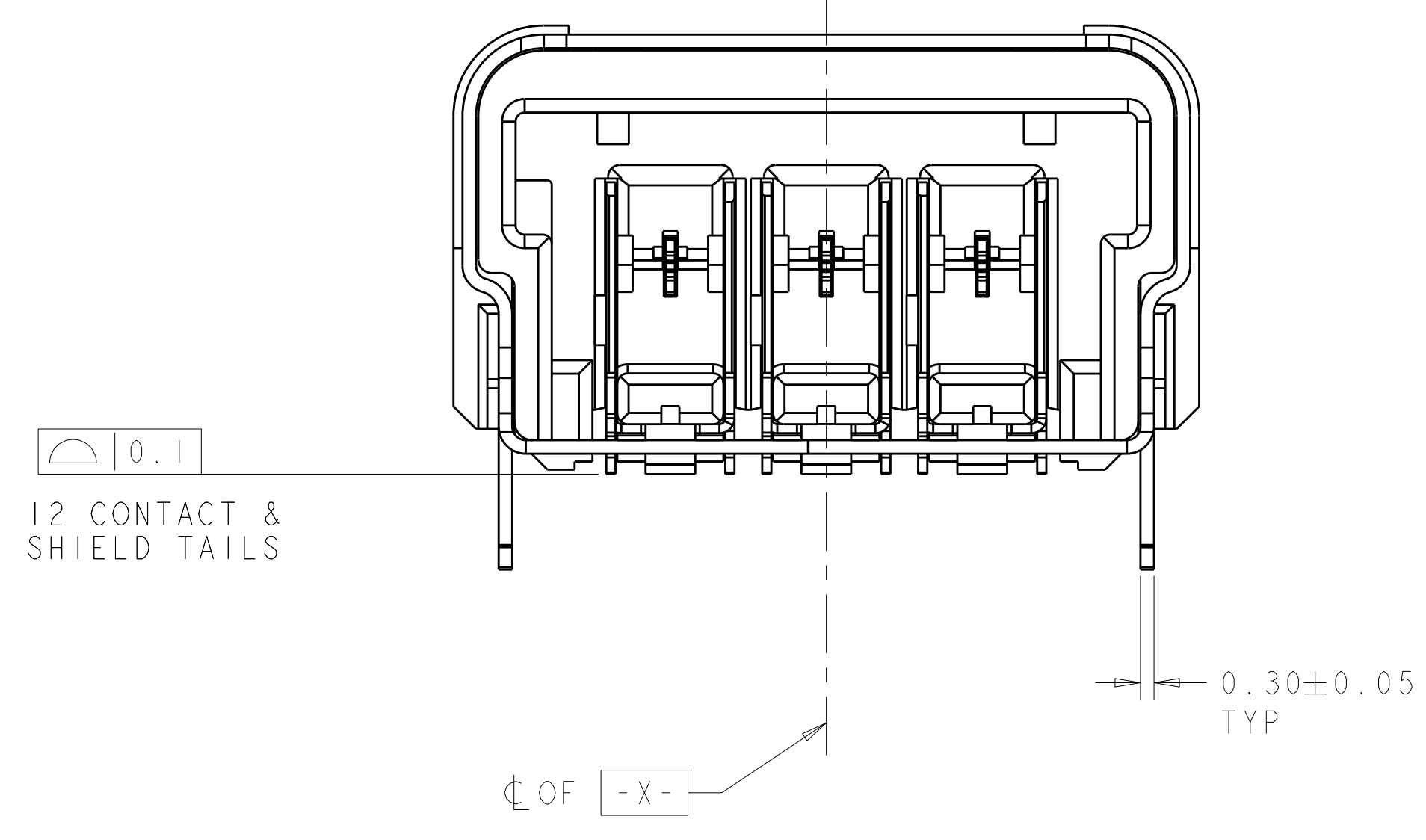
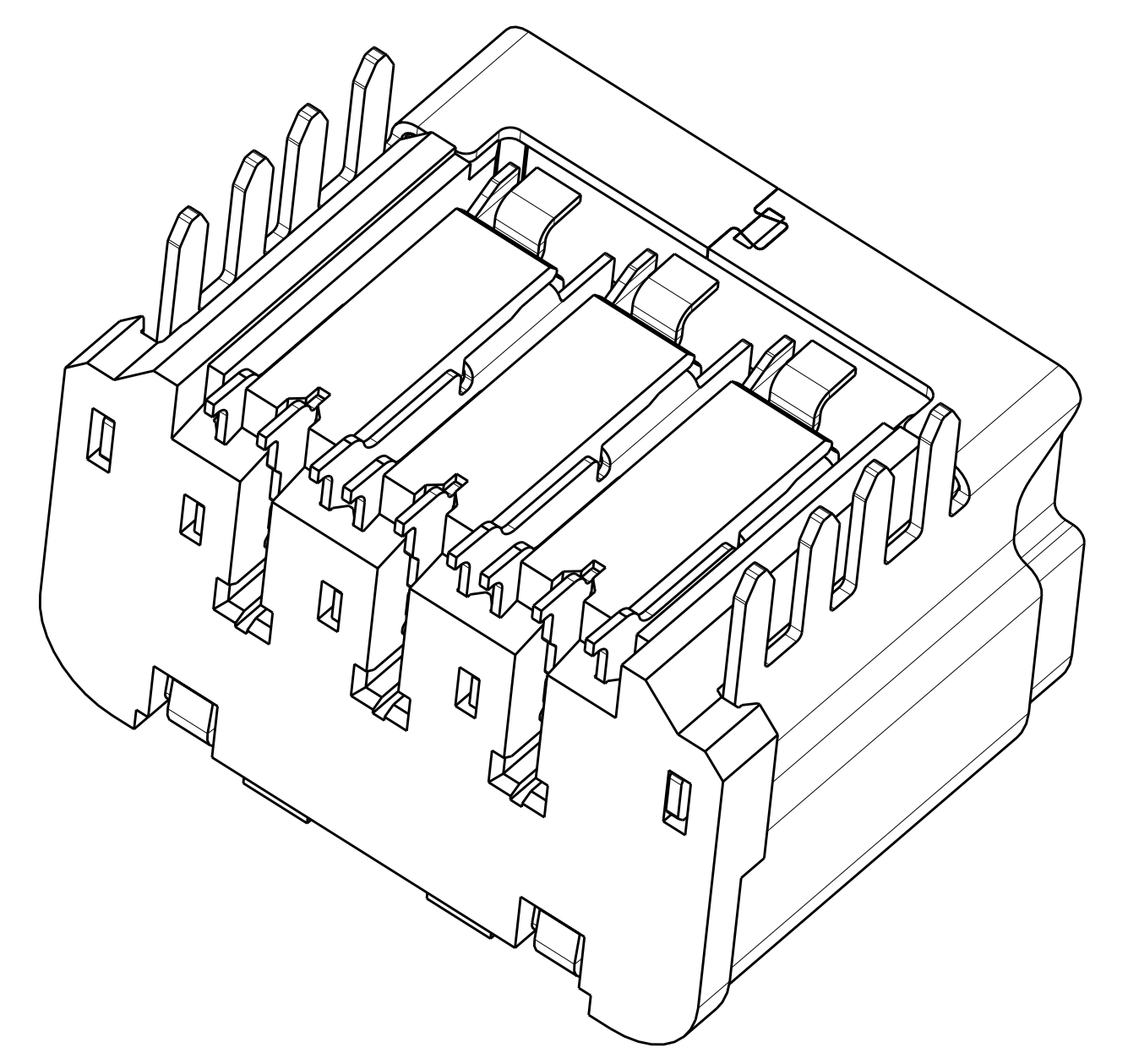
LOC	DIST	REVISIONS					
		P	LTB	DESCRIPTION	DATE	DWN	APVD
AJ	00	1		PROPOSED	22JAN2008	REH	JJC
		2		REVISED PER ECO-08-013675	11JUN2008	WS	MS
		A		REV PER ECO 08-018606	04AUG2008	DW	MS



1 MATERIAL:
 HOUSING: LCP UL94V0, COLOR - BLACK
 CONTACTS, SHIELDS - COPPER ALLOY
 SHELL - STEEL

2 PLATING:
 CONTACTS:
 CONTACT AREA - CONFORMS TO THE REQUIREMENT OF EIA/ECA-364-1000.01A
 (CONTROLLED ENVIRONMENT APPLICATIONS), AND TYCO ELECTRONICS
 PRODUCT SPECIFICATION 108-2324
 SOLDER TAIL - Sn OVER Ni
 SHIELDS: Ag OVER Ni
 SHELL: Sn OVER Ni OVER Cu

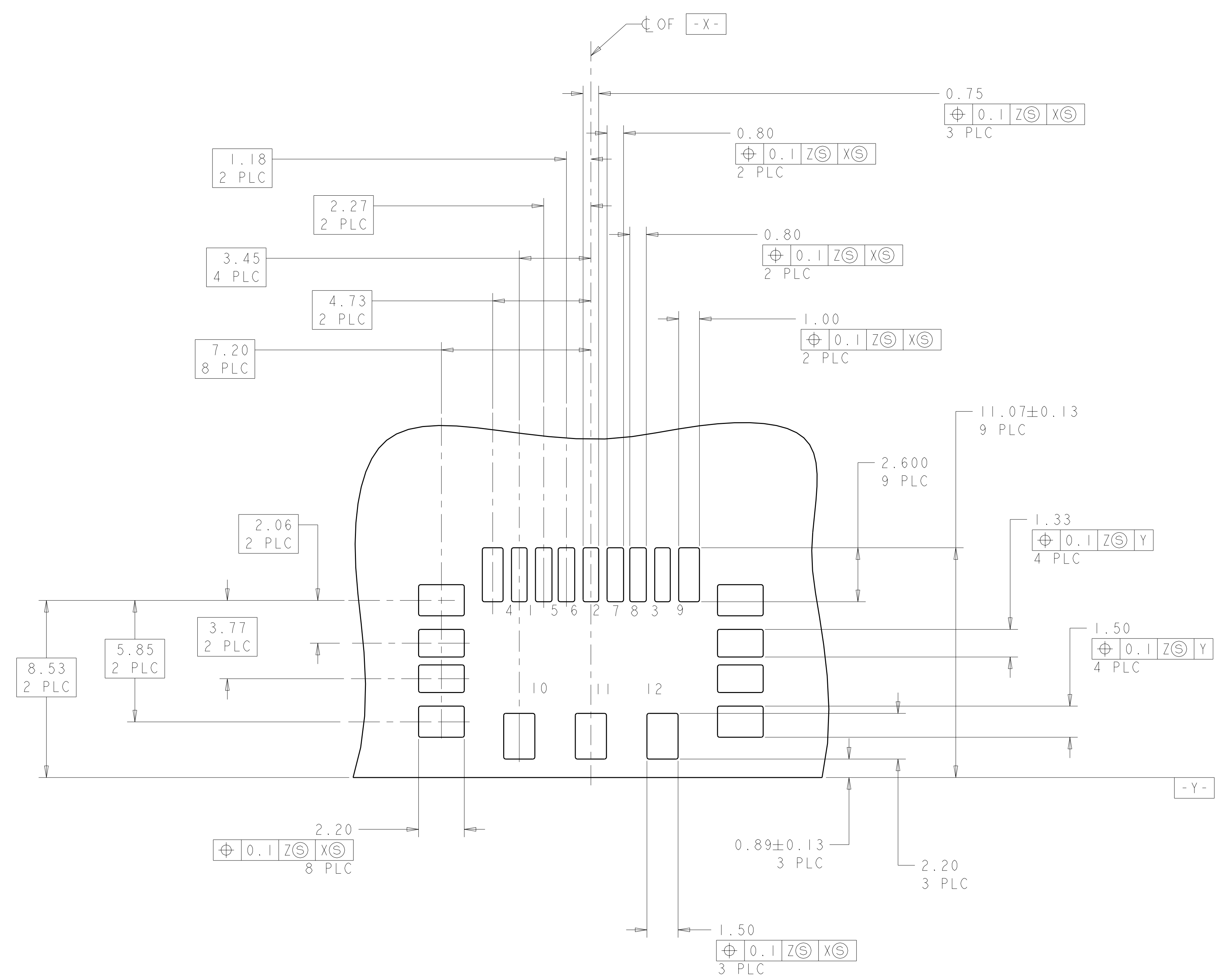
3. PRODUCT HAS NOT COMPLETED QUALIFICATION TESTING



2016032-1
 PART NUMBER

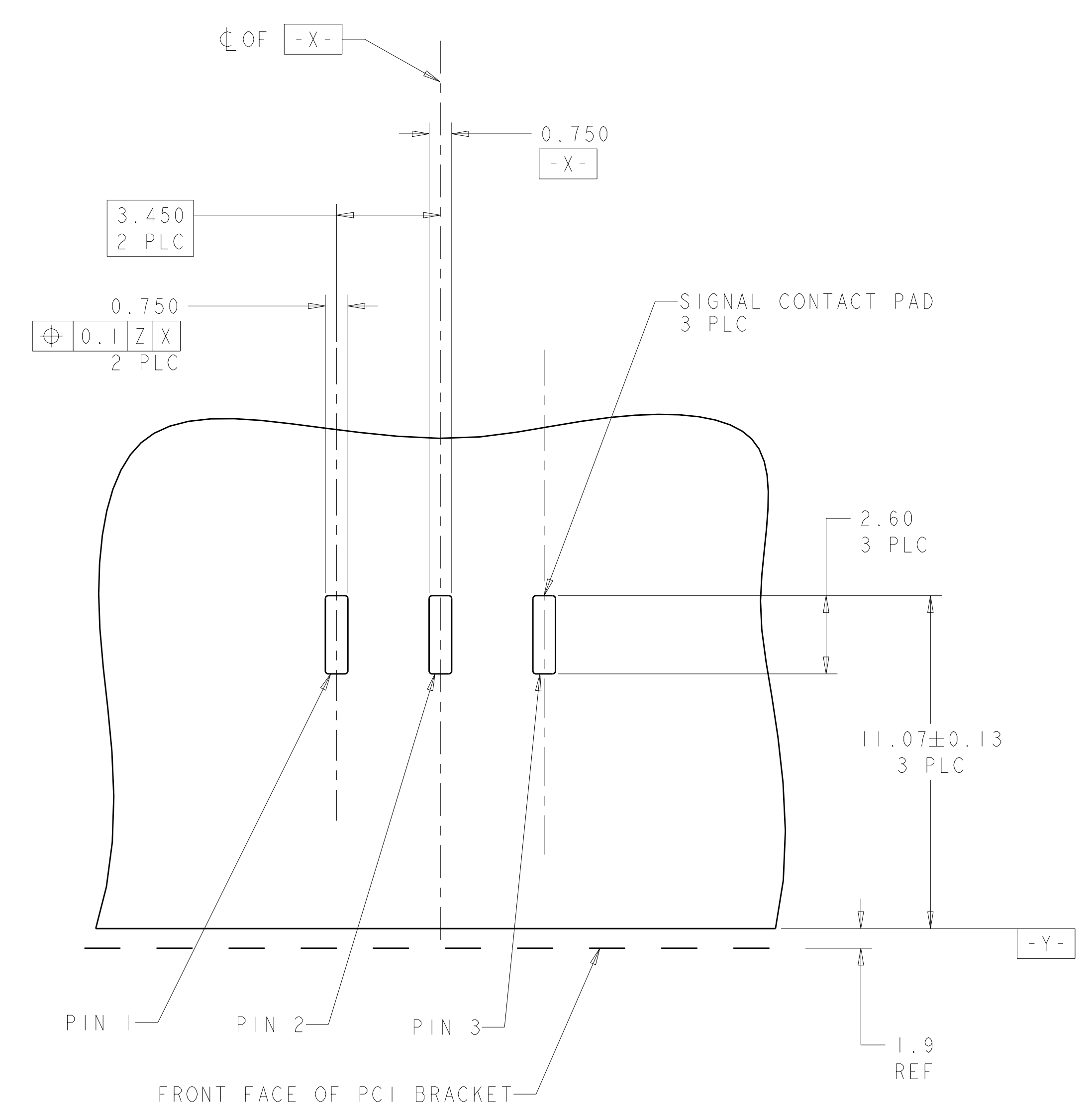
DIMENSIONS: mm 		TOLERANCES UNLESS OTHERWISE SPECIFIED: 0 PLC ± 1 PLC ±0.13 2 PLC ±0.13 3 PLC ±0.13 4 PLC ± ANGLES ±		DWN HAMNER 22JAN2008 CHK JJ CONSOLI 15FEB2008 APVD JJ CONSOLI 15FEB2008 NAME PRODUCT SPEC 108-2324 APPLICATION SPEC 114-5397 WEIGHT CUSTOMER DRAWING		Tyco Electronics Harrisburg, PA 17105-3608 PCB JACK, 3 PORT QSL, RIGHT ANGLE, THROUGH-HOLE, W/O PANEL FLANGES SIZE CAGE CODE DRAWING NO A100779C=2016032 SCALE 8:1 SHEET 1 OF 5 REV A	
-----------------------	--	---	--	---	--	--	--

LOC	DIST	REV	DATE	BY	APPD
AJ	00				
REVISIONS			DESCRIPTION	DATE	DWN
			SEE SHEET 1		



RECOMMENDED PCB STENCIL LAYOUT

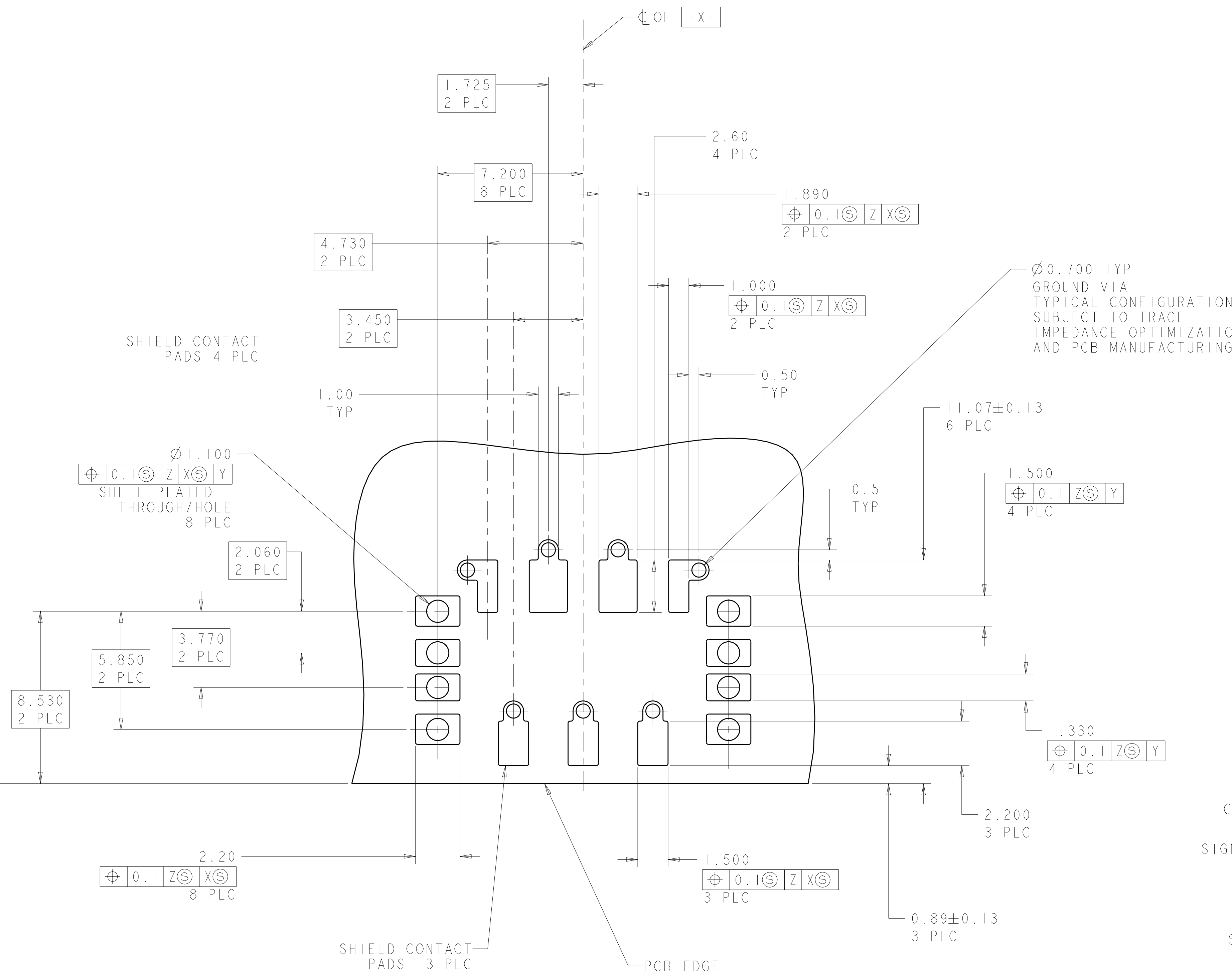
CIRCUIT "A" SIGNAL CONTACT PAD: #1
 CIRCUIT "A" GROUND CONTACT PADS: #4, 5, 10
 CIRCUIT "B" SIGNAL CONTACT PAD: #2
 CIRCUIT "B" GROUND CONTACT PADS: #6, 7, 11
 CIRCUIT "C" SIGNAL CONTACT PAD: #3
 CIRCUIT "C" GROUND CONTACT PADS: #8, 9, 12
 EIGHT UNMARKED PADS w/PLATED-THROUGH HOLES ARE FOR SHELL MECHANICAL HOLDDOWN TAILS



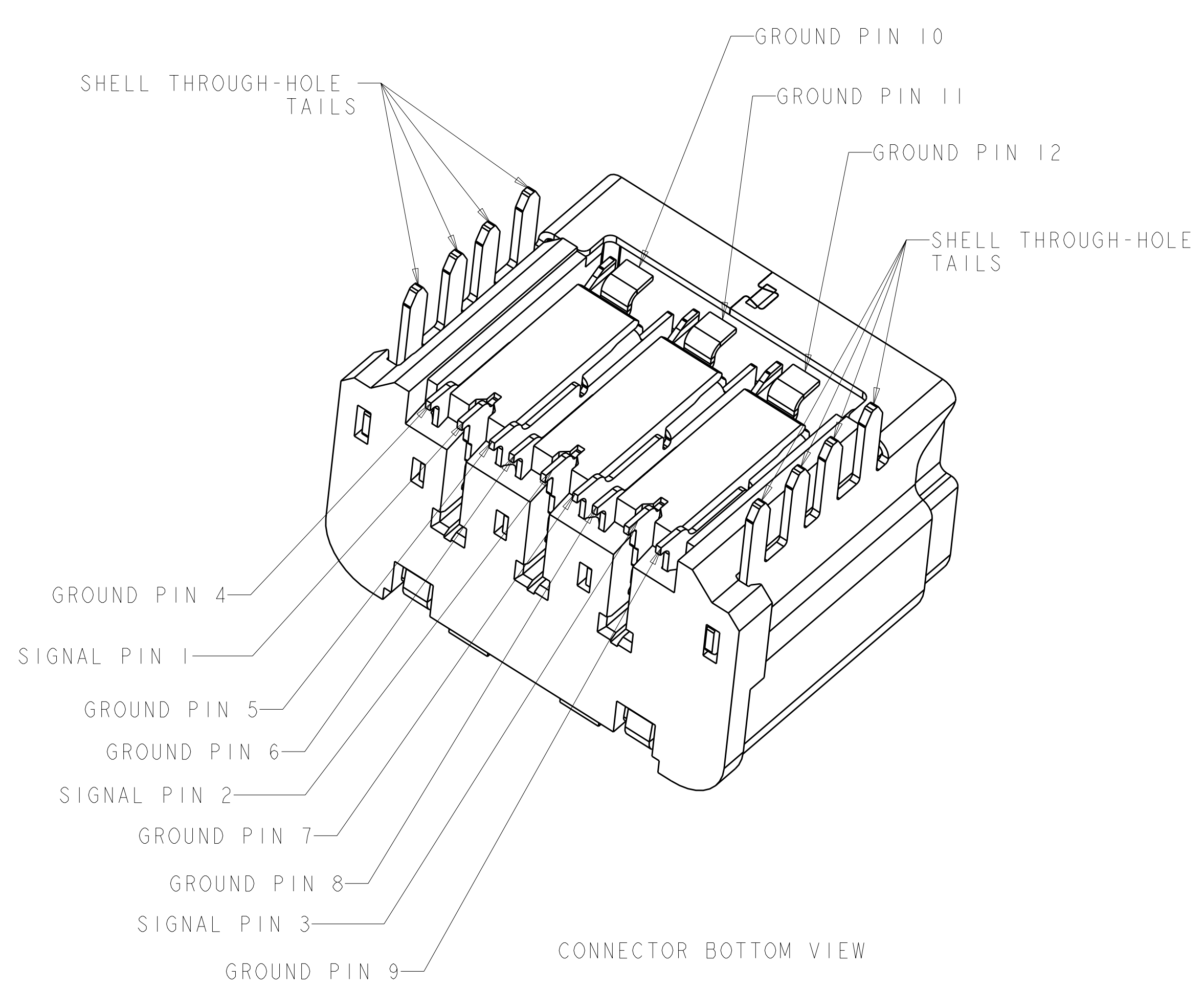
RECOMMENDED PCB LAYOUT TOP SIGNAL LAYER PADS

DIMENSIONS:		TOLERANCES UNLESS OTHERWISE SPECIFIED:		DWN 22 JAN 2008		Tyco Electronics Harrisburg, PA 17105-3608	
mm	9 PLC ±	0.13	±	CHK HAMNER	15 FEB 2008	NAME	
	5 PLC ±0.13	0.013	±	APPD J.J. CONSOLI	15 FEB 2008	PCB JACK, 3 PORT QSL, RIGHT ANGLE, THROUGH-HOLE, W/O PANEL FLANGES	
	4 PLC ±			PRODUCT SPEC	108-2324	SIZE	CAGE CODE
	ANGLES ±			APPLICATION SPEC	114-5397	DRAWING NO	RESTRICTED TO
MATERIAL	FINISH	WEIGHT				A100779C=2016032	
CUSTOMER DRAWING				SCALE	8:1	SHEET	2 OF 5
				REV	A		

LOC	DIST	REVISIONS					
		P	LTR	DESCRIPTION	DATE	DWN	APVD
AJ	00	-	-	SEE SHEET 1	-	-	-



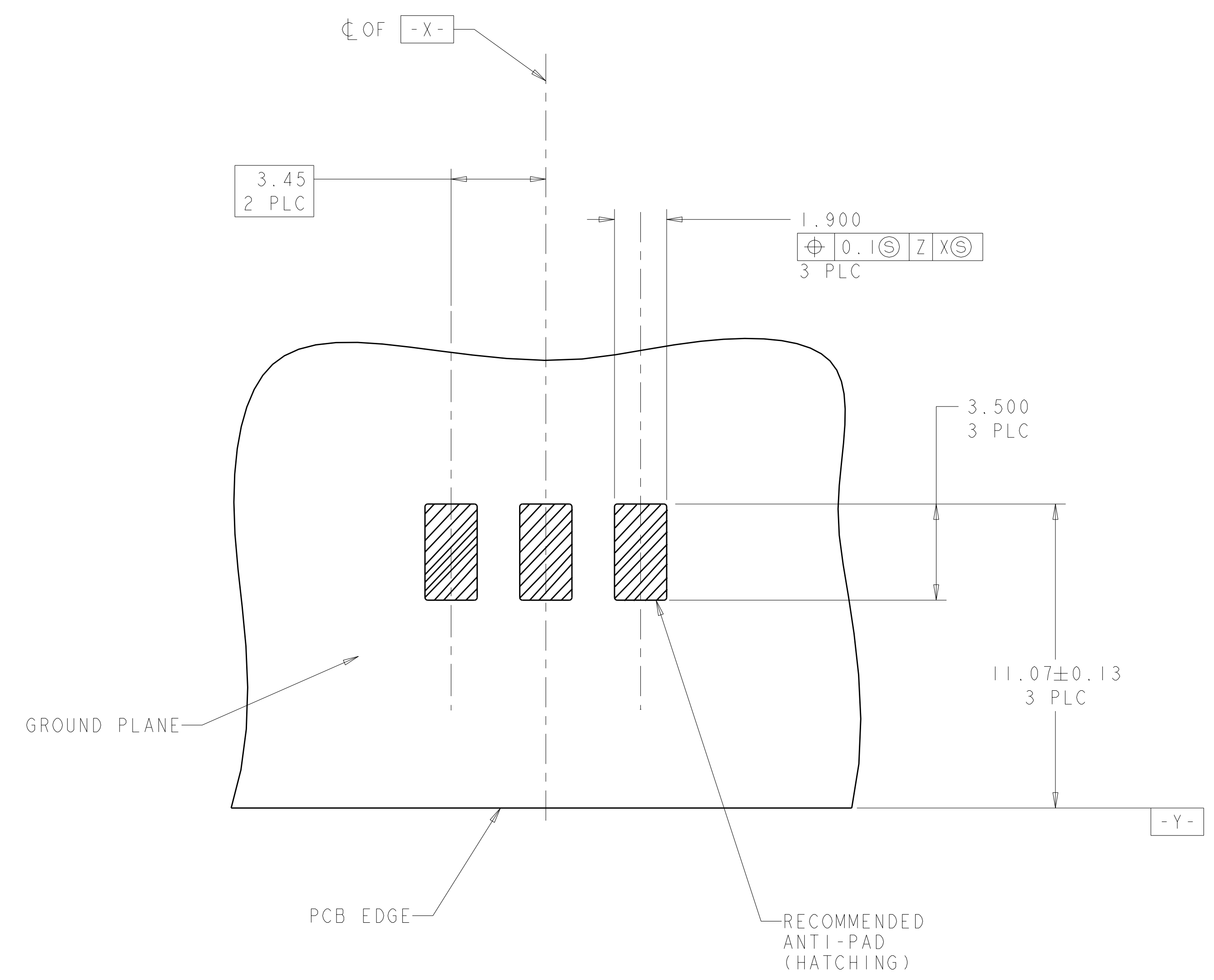
RECOMMENDED PCB LAYOUT
 TOP GROUND LAYER WITH DISCRETE PADS



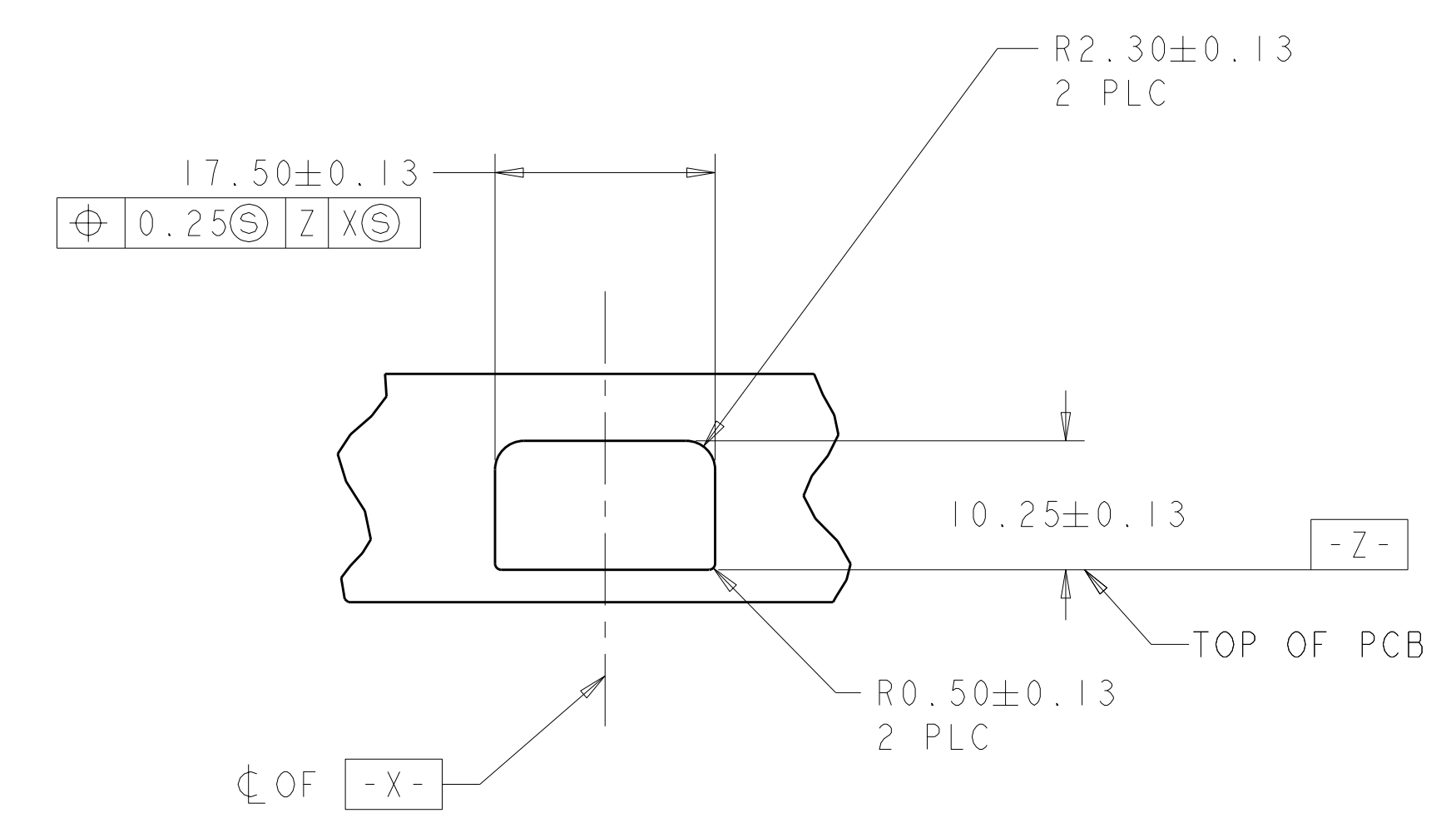
CONNECTOR BOTTOM VIEW

<small>THIS DRAWING IS UNPUBLISHED. RELEASED FOR PUBLICATION BY TYCO ELECTRONICS CORPORATION. ALL RIGHTS RESERVED. THIS IS SUBJECT TO CHANGE WITHOUT NOTICE AND WITHOUT OBLIGATION. DIMENSIONS SHOWN ARE THE LATEST REVISION.</small>		DWN: HAMNER 22 JAN 2008 CHK: JJ CONSOLI 15 FEB 2008 APVD: JJ CONSOLI 15 FEB 2008	Tyco Electronics Harrisburg, PA 17105-3608
DIMENSIONS: mm 	TOLERANCES UNLESS OTHERWISE SPECIFIED: 9 PLC ± 1 PLC ±0.13 5 PLC ±0.013 4 PLC ± FINISH ±	NAME: JJ CONSOLI PRODUCT SPEC: 108-2324 APPLICATION SPEC: 114-5397 WEIGHT: - CUSTOMER DRAWING	NAME: PCB JACK, 3 PORT QSL, RIGHT ANGLE, THROUGH-HOLE, W/O PANEL FLANGES SIZE: A CAGE CODE: 100779 DRAWING NO: C=2016032 RESTRICTED TO: - SCALE: 8:1 SHEET 3 OF 5 REV A

LOC	DIST	REV	DATE	BY	APPD
AJ	00				



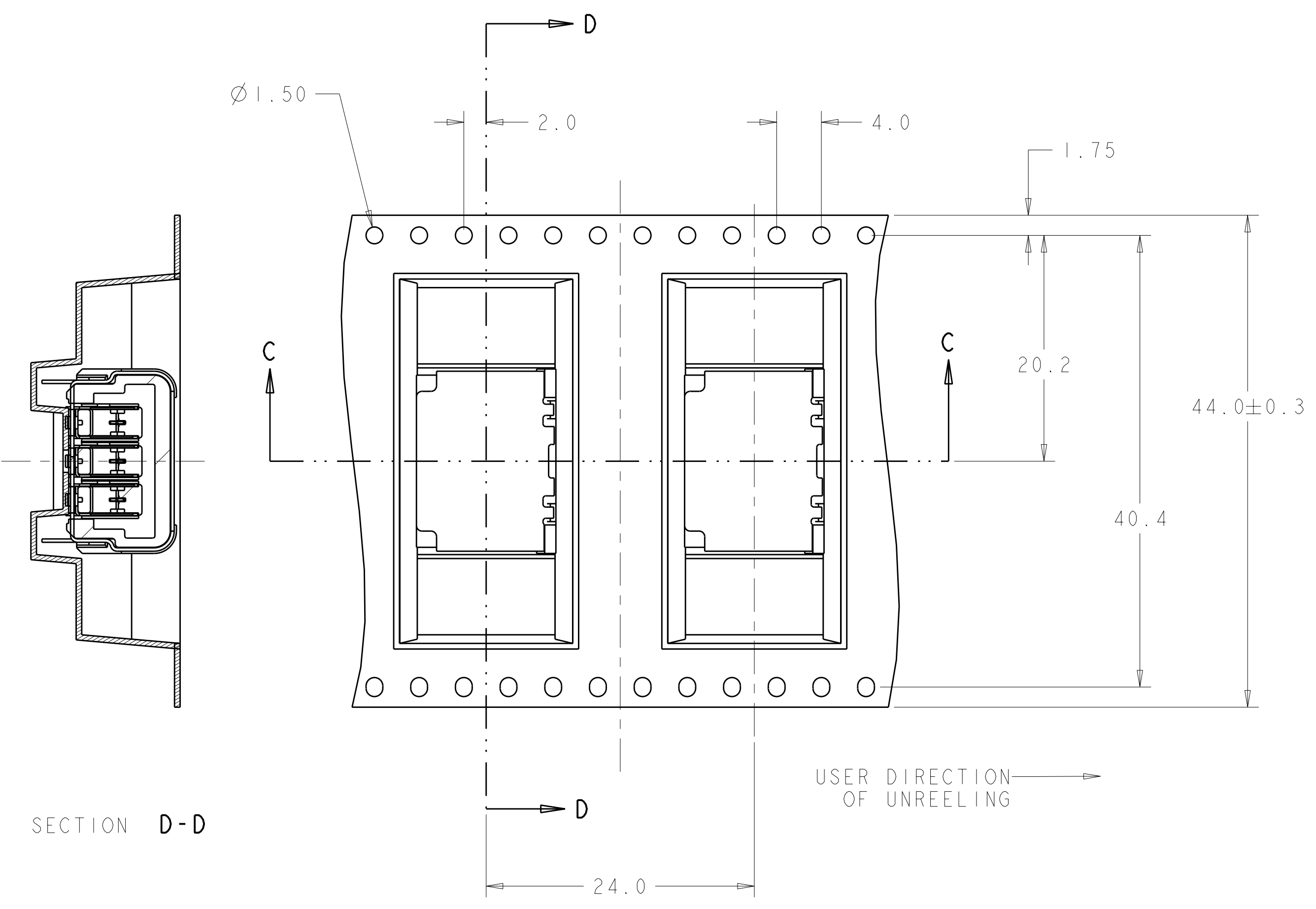
RECOMMENDED PCB LAYOUT OF ANTI-PADS FOR ALL GROUND AND POWER LAYERS



RECOMMENDED BRACKET CUT-OUT SCALE 2:1

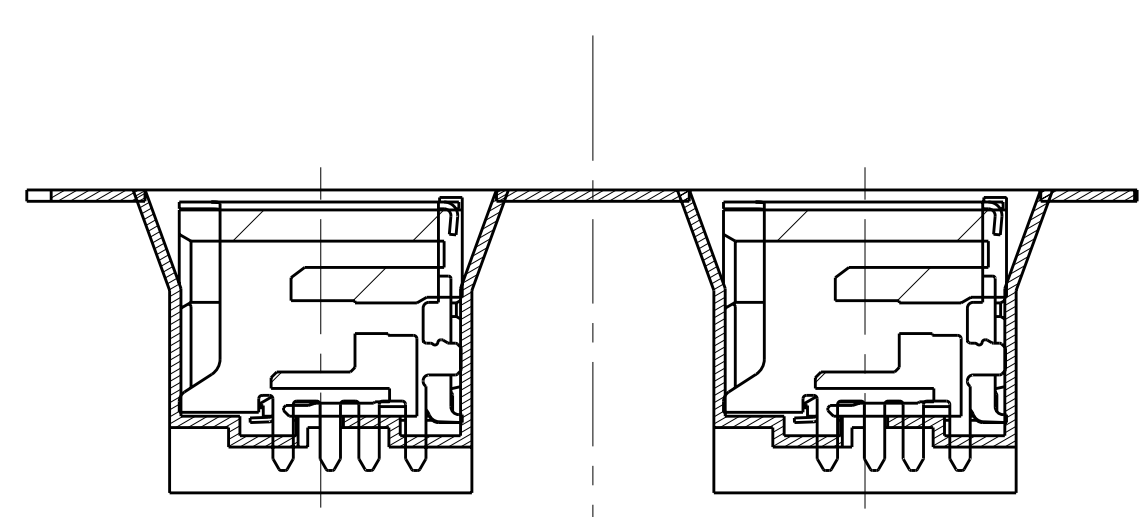
<small>THIS DRAWING IS UNPUBLISHED. RELEASED FOR PUBLICATION 20 © COPYRIGHT 20 BY TYCO ELECTRONICS CORPORATION. ALL RIGHTS RESERVED.</small>		DWN HAMNER 22 JAN 2008 CHK JJ CONSOLI 15 FEB 2008 APVD JJ CONSOLI 15 FEB 2008	Tyco Electronics Harrisburg, PA 17105-3608
DIMENSIONS: mm 	TOLERANCES UNLESS OTHERWISE SPECIFIED: 0 PLC ± 1 PLC ±0.13 2 PLC ±0.13 3 PLC ±0.013 4 PLC ± ANGLES ± FINISH ±	NAME PRODUCT SPEC APPLICATION SPEC WEIGHT CUSTOMER DRAWING	NAME PCB JACK, 3 PORT QSL, RIGHT ANGLE, THROUGH-HOLE, W/O PANEL FLANGES SIZE CAGE CODE DRAWING NO A100779C=2016032 SCALE 8:1 SHEET 4 OF 5 REV A

LOC	DIST	REVISIONS			
P	LTG	DESCRIPTION	DATE	DWN	APVD
AJ	00	SEE SHEET 1	-	-	-



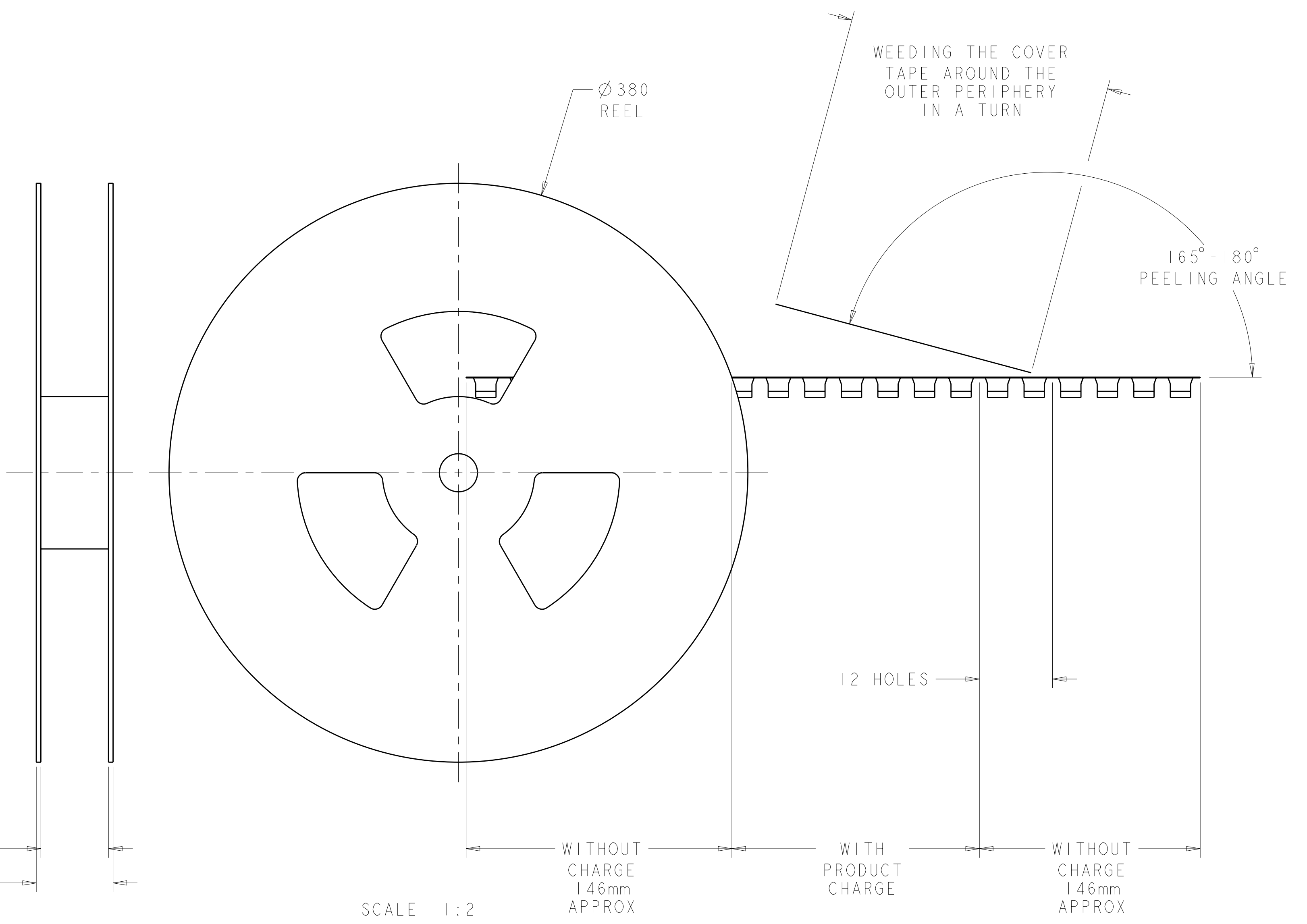
SECTION D-D

SCALE 3:1



SECTION C-C

44.4 REF
50.4 REF



SCALE 1:2

270 PIECES/REEL

<small>THIS DRAWING IS UNPUBLISHED. RELEASED FOR PUBLICATION. IT IS SUBJECT TO CHANGE WITHOUT NOTICE AND WITHOUT OBLIGATION. TYCO ELECTRONICS CORPORATION SHALL BE CONTACTED FOR THE LATEST REVISION.</small>		DWN: HAMNER 22JAN2008 CHK: JJ CONSOLI 15FEB2008 APVD: JJ CONSOLI 15FEB2008	Tyco Electronics Harrisburg, PA 17105-3608
DIMENSIONS: mm 0 PLC ± 1 PLC ±0.13 3 PLC ±0.013 4 PLC ± ANGLES ± FINISH	TOLERANCES UNLESS OTHERWISE SPECIFIED: 0 PLC ± 1 PLC ±0.13 3 PLC ±0.013 4 PLC ± ANGLES ± FINISH	NAME: PCB JACK, 3 PORT QSL, RIGHT ANGLE, THROUGH-HOLE, W/O PANEL FLANGES PRODUCT SPEC: 108-2324 APPLICATION SPEC: 114-5397 WEIGHT: - CUSTOMER DRAWING	SIZE: A CAGE CODE: 100779 DRAWING NO: 2016032 SCALE: 8:1 SHEET: 5 OF 5 REV: A